



**ROU MATERIAAL** was born in Ravenna, Italy, in 2013.

**Rou Materiaal** designs and manufactures in **Italy**, wooden sculptures **handmade** in unique using domestic **raw materials**, natural, treated with resin, sand or other techniques and handpainted linen art fabrics in unique pieces.

The most peculiar technique of Rou Materiaal is the use of resin obtained in unusual and technically “wrong” ways, in order to achieve imperfect and random results with a unique flair.

The name “ROU Materiaal” communicates the research of very ancient material, through its sound and linguistic origin; it also suggests a contemporary minimalist influence, a fusion between the language of African origin and the Northern contemporary world.











# S M A L L s c u l p t u r e s

Rou Materiaal designs and manufactures in Italy massive wooden sculptures in unique pieces using domestic raw materials, natural, treated with resin, sand or other techniques.

The **ROU Materiaal sculpture - tables** come from **ROU Materiaal sculptures** that in some cases can be used also in a functional way.

Art and design merge in a unique work. The woods are treated in such a way as to combine the use of techniques that enhance veins or natural imperfections with others that give a more contemporary texture, such as fire, sand, gilding and resins.

Sculpture tables can be customized, legs and tops can be changed.



AYERS ROCK TABLE





AYERS ROCK SCULPTURE





**DESERTO NERO - AIUla collection, 2022**

Dining table in elm solid wood, resin,  
acrylics, handpainted.  
Lenght 280 cm, width 80 cm, height 72 cm





**VIA DELL'INCENSO - AIUla collection, 2022**

Long coffee table in elm solid wood, resin,  
acrylics, handpainted.

Lenght 280 cm, width 50 cm, height 33 cm



**ROCCE TRAFITTE - AIUla collection, 2022**

Coffee table in paulownia and elm solid wood, resin, acrylics, handpainted.

Lenght 110 cm, width 50 cm, height 25 cm



**MAGMA - AIUla collection, 2022**

Coffee table in paulownia solid wood, resin, acrylics, handpainted.

Diameter 50 cm, thickness 3 cm

Parallelepipedal metal base h 30 cm, customizable









**STRATUS - AIUla collection, 2022**

Coffee table in paulownia solid wood, resin, acrylics, handpainted.

Diameter 55 cm, thickness 3 cm

Parallelepipedal metal base h 30 cm, customizable



**HEGRA - AIUla collection, 2022**

Coffee table in cedar solid wood, resin,  
acrylics, handpainted.

Diameter 60 cm, thickness 7 cm

Parallelepipedal metal base h 25 cm, customizable



**KUZA - AIUla collection, 2022**

Coffee table in paulownia solid wood, resin, acrylics, handpainted.

Diameter 55 cm, thickness 7 cm

Parallelepipedal metal base h 25 cm, customizable





**JABAL IKMAN - AIUla collection, 2022**

Coffee table in paulownia solid wood, resin,  
acrylics, handpainted.

Diameter 55 cm, thickness 5 cm

Parallelepipedal metal base h 30 cm, customizable



**DADAN - AIUa collection, 2022**

Coffee table in paulownia solid wood, resin,  
acrylics, handpainted.

Diameter 60 cm, thickness 7 cm

Parallelepipedal metal base h 25 cm, customizable





**ANTARTICOS SUPERBIG - Antarticos collection, 2021**

Sculpture-coffee table in elm solid wood, resin, acrylics, handpainted.

Base: 65 cm x 65 cm, height 30 cm

Top: diameter about 67 cm, thickness 11 cm





**ANTARTICOS TALLEST - Antarticos collection, 2021**

Side table in cedar solid wood, resin,  
acrylics, handpainted.

Diameter about 50 cm, thickness 4 cm  
Cylindric metal base h 41 cm



**ANTARTICOS MEDIUM - Antarticos collection, 2021**

Side table in cedar solid wood, resin,  
acrylics, handpainted.  
Diameter about 50 cm, thickness 3 cm  
Cylindric metal base h 36 cm



**ANTARTICOS SHORT - Antarticos collection, 2021**

Side table in pawlonia solid wood, resin, acrylics, handpainted.

Diameter about 50 cm, thickness 3 cm  
Cylindric metal base h 29 cm









**ALAE - Domus collection, 2021**

Coffee table in pawlonia solid wood, resin, acrylics, handpainted.

Lenght 102 cm, width 49 cm, thickness 3,5 cm  
Elliptical wood base h 27 cm, customizable



**POMPEI - Domus collection, 2021**

Coffee table in elm solid wood, resin,  
acrylics, handpainted.

Lenght 143 cm, width 80 cm, thickness 4 cm  
Double parallelepipiped metal base h 30 cm







**HERBOSUS 1 - Terrae collection, 2021**

Side table in cedar solid wood, resin,  
acrylics, handpainted.

Diameter about 48 cm, thickness 4,5 cm

Parallelepiped metal base h 30 cm, customizable





**HERBOSUS 2 - Terrae collection, 2021**

Side table in cedar solid wood, resin,  
acrylics, handpainted.

Diameter about 54 cm, thickness 4,5 cm

Parallelepiped metal base h 20 cm, customizable





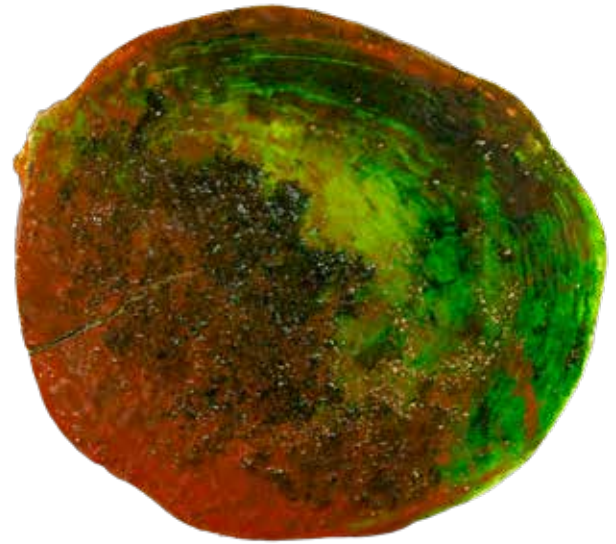


**HORTUS - Domus collection, 2021**

Coffee table in cedar solid wood, resin,  
acrylics, handpainted.

Diameter about 54 cm, thickness 4 cm

Parallelepiped metal base h 30 cm, customizable



**ATRIUM - Domus collection, 2021**

Coffee table in cedar solid wood, resin, acrylics, cocchiopesto, handpainted.  
Diameter about 55 cm, thickness 4 cm  
Cylindric metal base h 30 cm, customizable









**TABERNAE - Domus collection, 2021**

Coffee table in cedar solid wood, resin, acrylics, handpainted.

Diameter about 55 cm, thickness 4 cm

Cylindric metal base h 30 cm, customizable



**LACERTUM - Domus collection, 2021**

Coffee table in cedar solid wood, resin, acrylics, sand, cocchiopesto, handpainted.  
Diameter about 73 cm, thickness 4 cm  
Parallelepiped metal base h 30 cm, customizable











**GEYSER - Terre collection, 2019**

Side table in cedar solid wood, resin,  
acrylics, handpainted.  
Diameter about 66 cm, thickness 4 cm  
Metal base h 35 cm, customizable

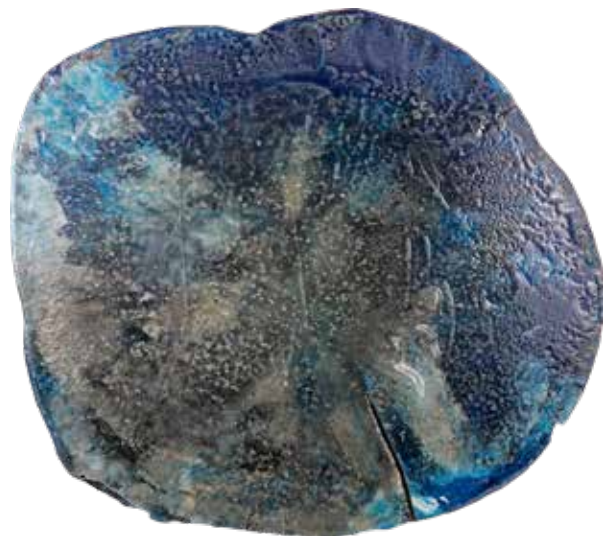
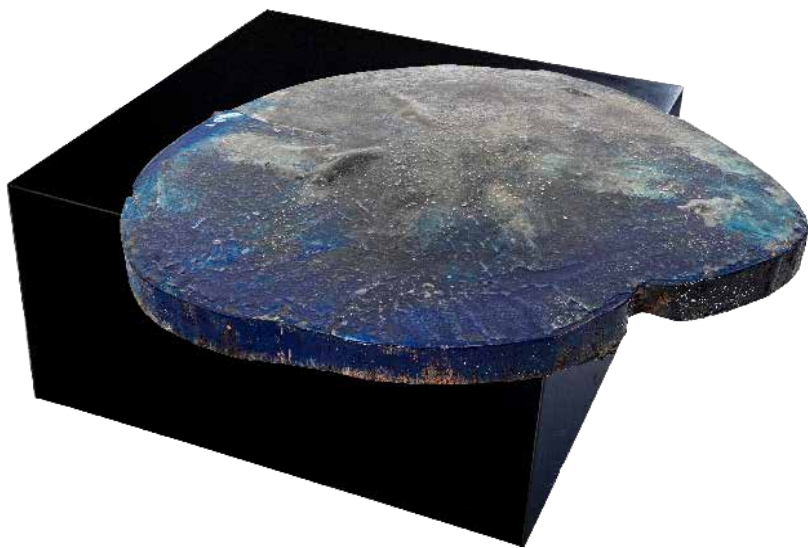


**SAVANA - Terre collection, 2019**

Side table in elm solid wood, resin, acrylics, handpainted.

Diameter about 66 cm, thickness 4 cm

Metal base h 35 cm, customizable



**SUPERBIG 03 - Stratificazioni collection, 2019**

Side table in elm solid wood, resin,  
acrylics, handpainted.

Diameter about 60 cm, thickness 5 cm

Parallelepiped metal base 65 cm x 65 cm x h 30 cm



**SUPERBIG 04 - Stratificazioni collection, 2019**

Side table in cedar solid wood, resin,  
acrylics, handpainted.  
Diameter about 60 cm, thickness 5 cm  
Metal base h 30 cm, customizable







## TRITT ICON 1.2.3, 2018

Ginkgo biloba solid wood, resin, acrylics and gold leaf  
Size each: length about 105 cm x 50 cm x 5 cm

Elliptical leg in wood size 33,5 cm x 11,5 cm x height  
27 cm







### **Mini GINKGO MACHIA, 2018**

Handmade coffee-table in ginkgo biloba solid wood, resin, acrylics, handpainted.

Size Top 1: length about 85 x 55 x 3,5 cm

Size Top 2: length about 83 x 52 x 3,5 cm

1 Leg in iron, height 25 cm

1 Leg in iron, height 29 cm









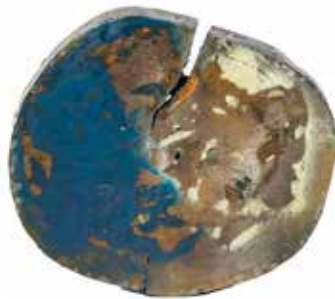
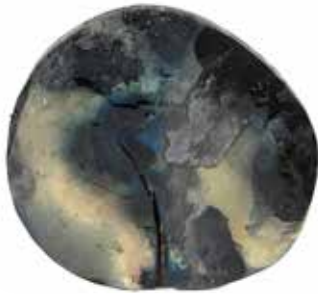


SEZIONI

ORGANICHE















**EBULLITUS - Terrae collection, 2021**

Sezione organica in cedar solid wood, resin, acrylics, handpainted.

Diameter about 37 cm, thickness 7,5 cm



**ERUPTIO - Terrae collection, 2021**

Sezione organica in cedar solid wood, resin, acrylics, handpainted.

Diameter about 32 cm, thickness 4 cm



**CUMULO SMALL - Nubi collection, 2020**

Sezione organica in cedar solid wood, resin, acrylics, sand, straw, handpainted.  
Diameter about 32 cm, thickness 4 cm



**IMPLUVIUM - Domus collection, 2021**

Sezione organica in cedar solid wood, resin, acrylics, sand, handpainted.  
Diameter about 37 cm, thickness 4 cm









## B I G s c u l p t u r e s

Our domestic sculptures can become sculpture-tables and legs can be customized.

They are made of wood of secular Italian felled trees because sick or dead standing; the wood is treated so as to mix the use of techniques which enhance natural imperfections or veins, with the use of other ones like fire, sands, or gilding, for obtaining a more contemporary texture.

Our domestic sculptures represent the very beginning of our story and brand.

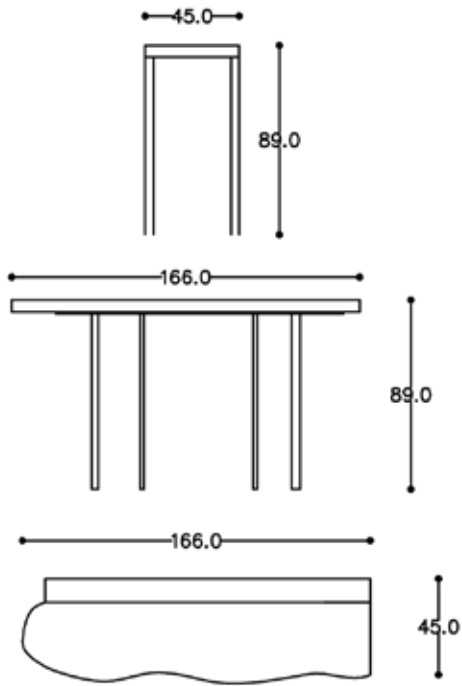
Fully made in Italy. One of a kind.

## GLACIAZIONE, 2018

Handmade consolle in pawlonia solid wood, resin, paint and stucco

Size top: length about 166 cm x width max 49 cm  
x thickness 4,5 cm

legs in iron height about 85 cm



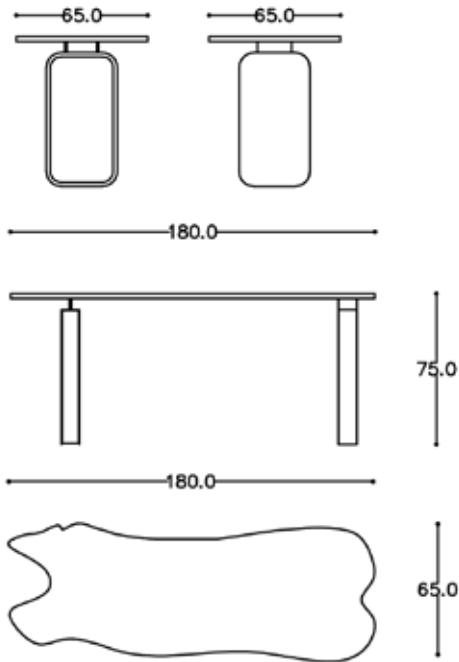
## CATRAME, 2018

Handmade desk in ginkgo biloba solid wood, resin, acrylics, handpainted.

Size top: length about 180 x width 65 x thickness 3 cm

1 leg in iron height about 72 cm

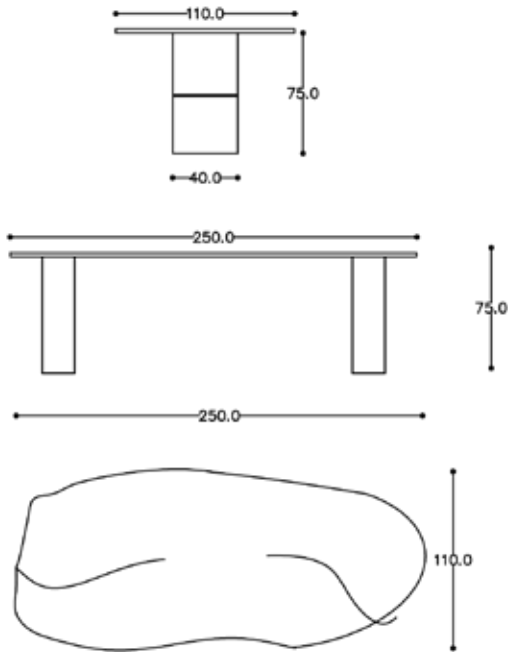
1 leg in mdf height about 72 cm



## GINKGO MACHIA, 2018

Handmade dining table in ginkgo biloba solid wood, resin, acrylics, handpainted.

Size Top: length about 240 x width 100 x thickness 3,5 cm  
2 legs in painted birch height 72 cm





## **FLUIDO, 2016**

Ginkgo biloba solid wood, resin, acrylics,  
handpainted

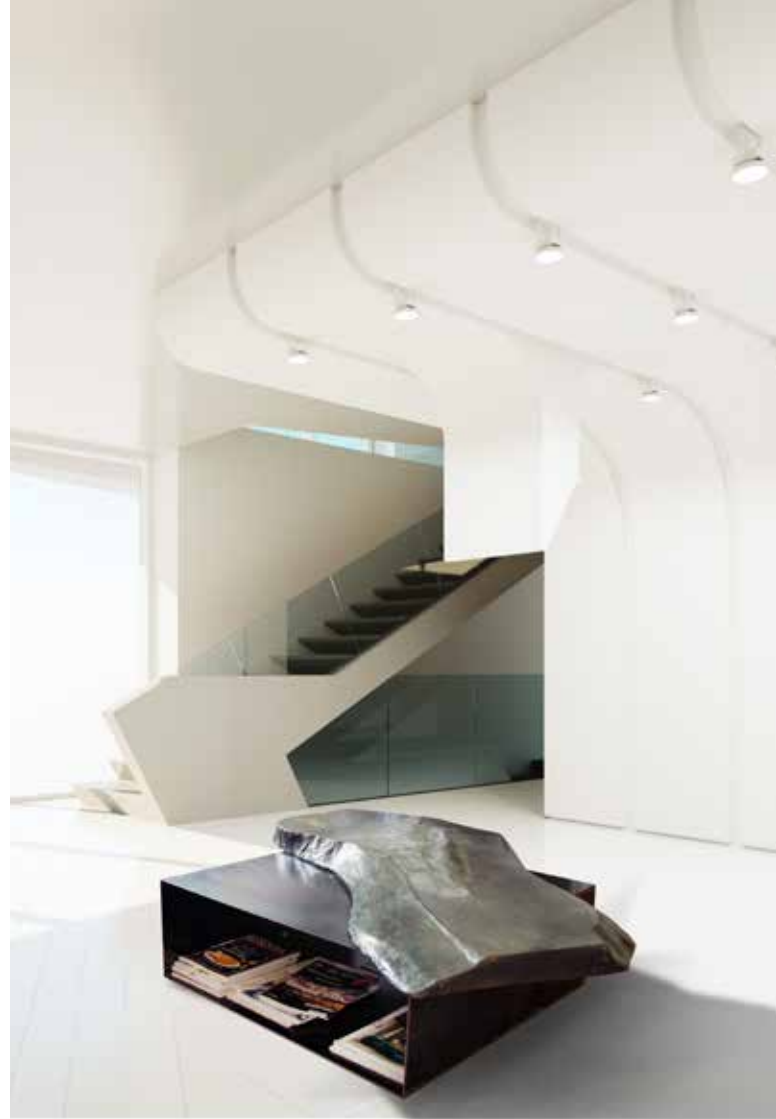
Size top: length about 163 cm x 65 cm x 3 cm





**PERITO MORENO, 2015**

Elm solid wood, resin, acrylics, handpainted  
Size top length about 140 cm x 70 cm x 12 cm





## A R T F A B R I C S

Our art fabrics are handmade in unique pieces, in Italy. We paint Italian linen canvas using ancient techniques typical of our region (Emilia Romagna) reinterpreted in a contemporary way.

During this process we sometimes use also ancient molds. Each piece is identified with a name and collection.

Our art fabrics can be used as tapestry, furnishing art-fabrics, art towels and raw material for custom-fashion.

**STRATIFICAZIONI Collection 01, 2018**

Custom project

Contemporary art fabric  
Handpainted on linen using  
traditional techniques and resin

Size: 100 cm x 170 cm x 6 cm





## **KAKADU, 2019**

Contemporary art fabric  
Handpainted on linen using  
traditional techniques and resin

Size: 30 cm x 170 cm x 7 cm







## **TRACCIA FS19, 2019**

Contemporary art fabric  
Handpainted on linen using  
traditional techniques and  
resin

Iron frame 3 mm

Size: 60 cm x 90 cm x 6 cm







**GORGONI, 2015**

Abissi collection

Contemporary art fabric  
Handpainted on linen using  
traditional techniques

Size: 126 cm x 200 cm x 7 cm





## **STRATIFICAZIONI Collection 02, 2019**

Contemporary art fabric  
Handpainted on linen using  
traditional techniques

Size: 122 cm x 159 cm x 7 cm







**LAAS GAAL, 2016**

Graffiti collection

Contemporary art fabric  
Handpainted on linen using  
traditional techniques

Size: 150 cm x 300 cm







## **ORTICOLA 01, 2019**

Orticola collection

Contemporary art fabric  
Handpainted on linen using  
traditional techniques

Size: 150 cm x 250 cm

## **SANTA MARIA IN PORTO, 2016**

Basiliche collection

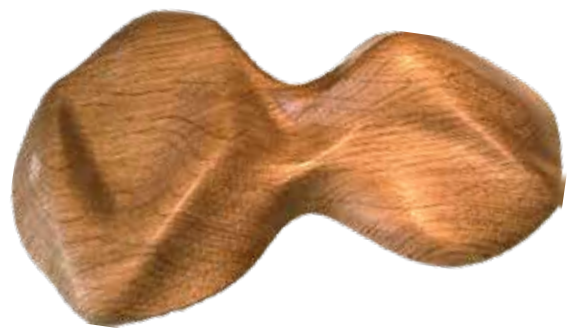






C U S T O M   M A D E   P R O J E C T S





**ARCHIPEL, 2018**

Custom made project

*Restaurant Nomicos - Paris 16me*

Sculptures de table "Archipel"  
in oak wood





## **MED COLLECTION, 2019**

Custom made project

*Resort - South Corsica*

Contemporary art fabrics  
Handpainted on linen using  
traditional techniques

Size: 120 x 60 cm





## TESSELLA, 2020

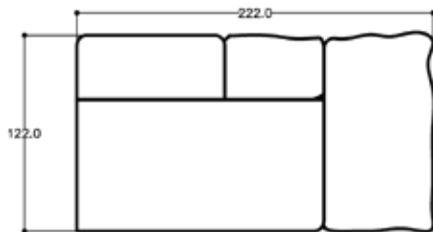
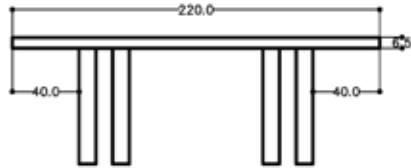
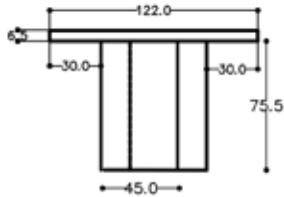
Custom made project

*Private house - Italy*

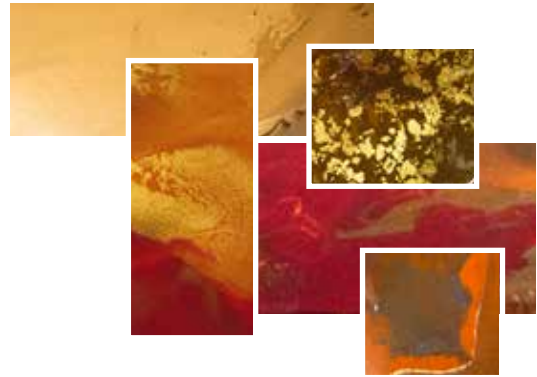
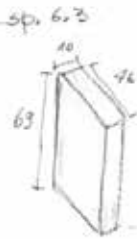
Handmade table in iroko, niangon and mahogany wood,  
resin, acrylics, handpainted

4 legs in fir wood, size 45 cm x 10 cm x h 75,5 cm

Size top: length about 220 cm x 122 cm x h 75,5 cm



Sol. 2  
TESSELLA  
H 75,5  
Top incluso





ROU  ateriaal

Viale L. C. Farini 62  
48121 Ravenna, Italy

T. +39 348 1532762

T. +39 335 8026662

[roumateriaal@gmail.com](mailto:roumateriaal@gmail.com)

[www.roumateriaal.com](http://www.roumateriaal.com)

